



# SLIDING DOOR SELF CLOSURE



Ecological and economic self-closing system for pedestrian sliding doors  
Patented System

## Mechanical system without electrical connection :

- ▶ Energy free,
- ▶ Wiring free, ...

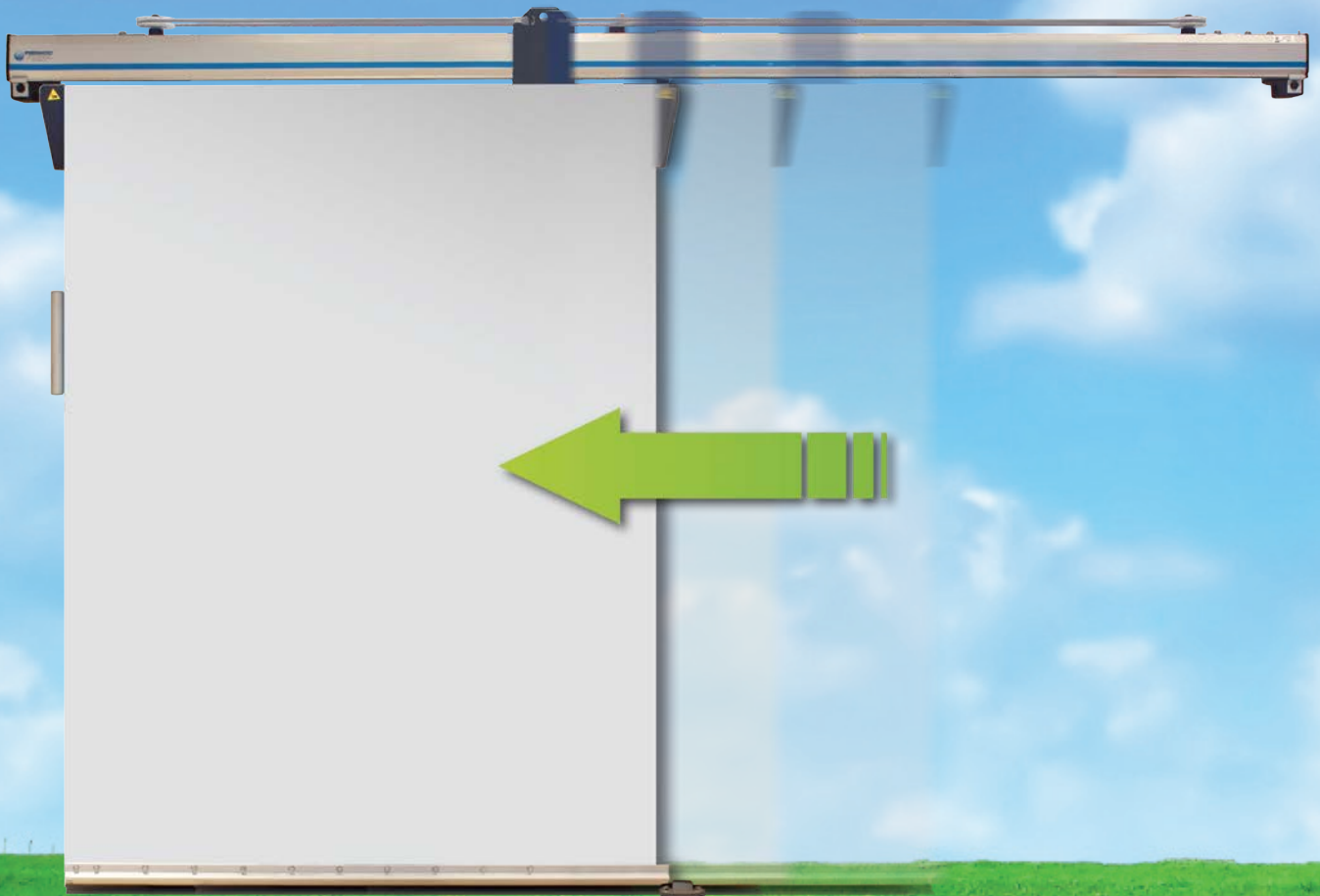


## After opening, the door closes automatically:

- ▶ Energy saving and extending life of refrigeration equipment
  - Minimizes door opening time
  - Minimizes temperature changes
  - Minimizes the operation of the refrigerating set
  - Reduces ice formations in negative temperature
- ▶ Easier operation for users

## For manual FERMATIC systems:

- ▶ 2120 - 2130 - 2130DV - 2150
- ▶ 2320 - 2420



Door self closure uses an elastic cable to enable automatic closing of the doors for single or double leaves manual systems.  
Product created in eco friendly design.





# SLIDING DOOR SELF CLOSURE



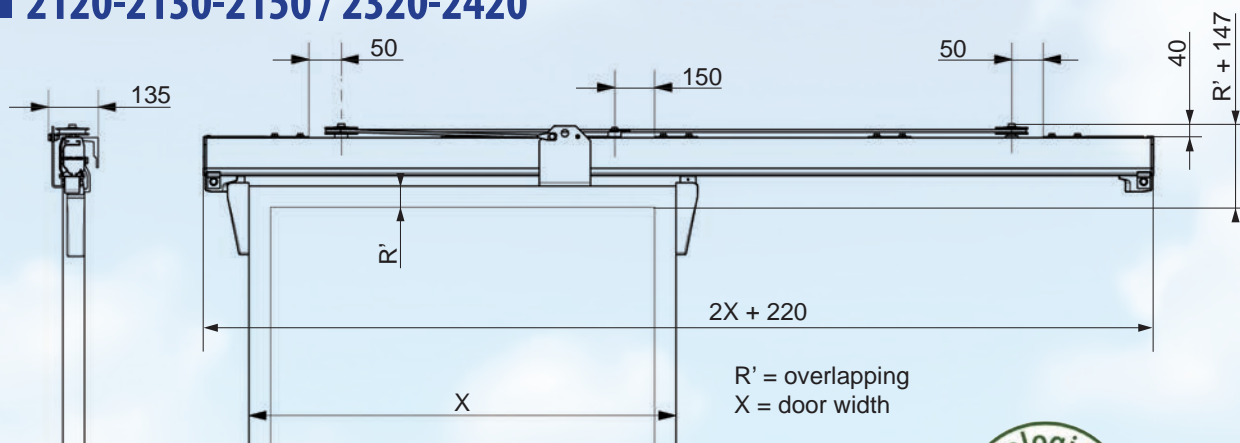
Ecological and economic self-closing system for pedestrian sliding doors  
Patented System

## Features and advantages:

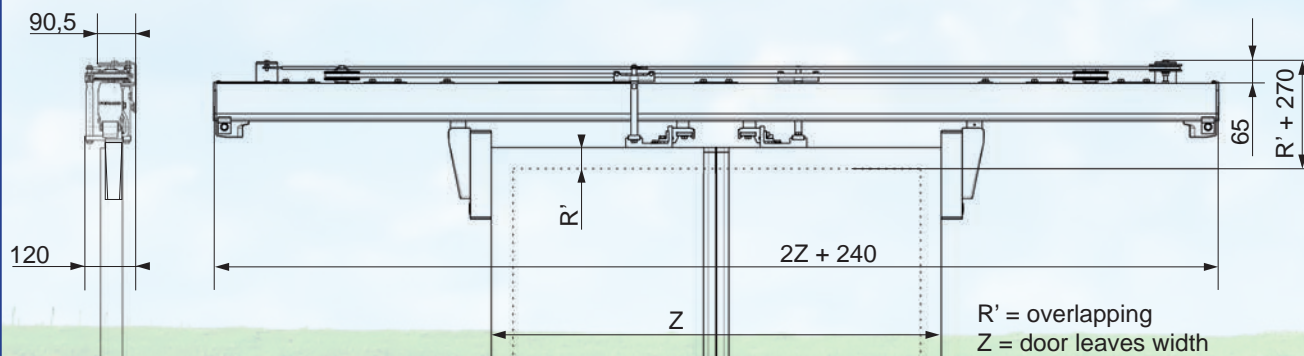
- Very quick return on investments (ask for details)
- Easy mounting and adjustment
- Specially adapted for pedestrian doors with frequent use
- Compact
- Excellent protection against corrosion
- Door stay to keep the door open (optional)
- Cover (optional)



## ■ 2120-2130-2150 / 2320-2420



## ■ 2130 DV



# FERMOD®



75, rue de Richelieu - 75002 PARIS - FRANCE  
Tél. : +33 (0)1 42 96 94 06 - Fax : +33 (0)1 42 86 84 51  
<http://www.fermod.com> • e-mail: [contact@fermod.com](mailto:contact@fermod.com)  
Siège Social : Senlis (Oise) - Société Anonyme au Capital de 1 004 400 €  
RCS Compiègne B 301 468 211 - Siret 301 468 211 00018 - APE 2572 Z

DISTRIBUTOR