



## Manual systems for sliding doors up to 80 and 120 kg maximum



- Ref. 2320** : System for doors of a maximum door weight of 80 kg, minimum door thickness of 50 mm
- Ref. 2420** : System for doors of a maximum door weight of 120 kg, minimum door thickness of 50 mm

### Features and advantages :

- Pleasing appearance and excellent hygiene properties are achieved by the 15 microns anodised aluminium rail concealing the mechanical components
- Smooth & silent operation achieved by the composite rollers being supported by a bearing bracket
- Safety is maximised through use of an anti-derailment feature
- Compact size through design
- The special gasket remains soft down to - 40 degrees C
- Products in accordance to the UKCA/European Directives and Standards

### ACCESSORIES

- Internal and external lever handles, face or edge-fixing
- Internal and external fixed handles
- Gaskets

### OPTIONS

- Lock 57 / 57 HP
- Bottom guide rail fixed on the underside of the door
- Frame guiding system
- Automatic system \*
- Sliding door self closure \*

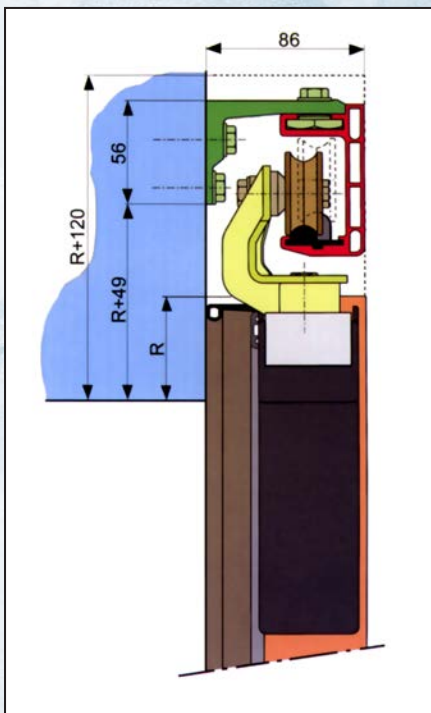
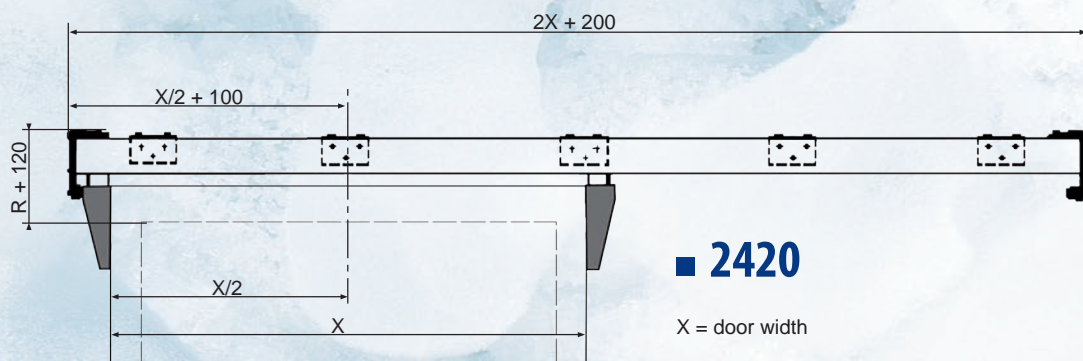
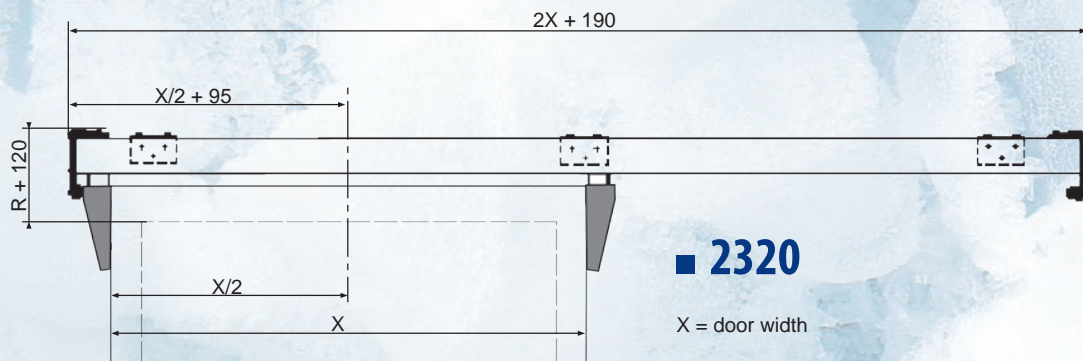
\* Ask for detailed literature







# FERMATIC 2320 - 2420



References	Door width
2321 / 2421	900 to 1100 mm
2322 / 2422	1101 to 1300 mm
2323 / 2423	1301 to 1500 mm
2324 / 2424	1501 to 1700 mm
2325 / 2425	1701 to 2000 mm
2326 / 2426	2001 to 2300 mm
2327 / 2427	2301 to 2600 mm

. Delivered also in 6180 mm length

DISTRIBUTOR



# FERMOD®



3 avenue Eugène Gazeau - 60300 SENLIS - FRANCE  
Tél. : +33 (0)3 44 53 12 86 - Fax : +33 (0)3 44 53 62 03  
www.fermod.com • e-mail: contact@fermod.com

Siège Social : Senlis (Oise) - Société Anonyme au Capital de 1 004 400 €  
RCS Compiègne B 301 468 211 - Siret 301 468 211 00018 - APE 2572 Z

08/2021

Imprimerie Polyservices - Beauvais

Manual FERMATIC systems

