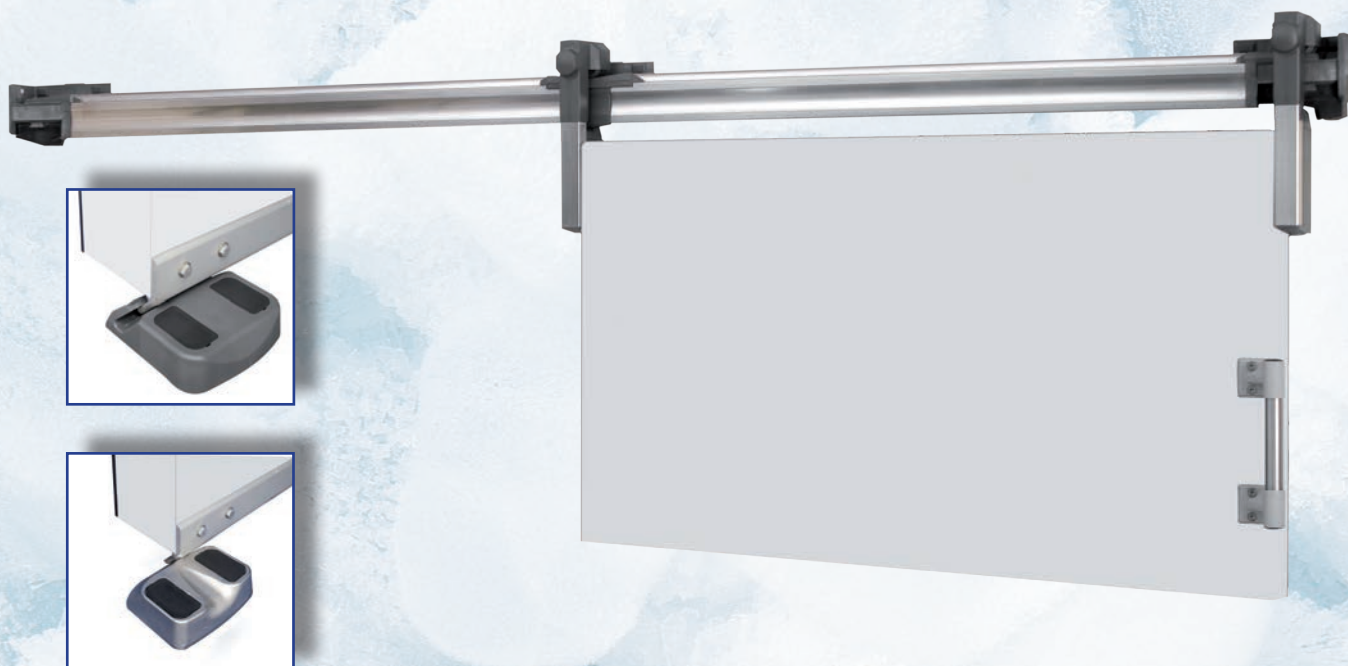





Manual systems for sliding doors up to 120 kg Patented



ACCESSORIES

- Internal and external lever handles, face or edge-fixing
- Internal and external fixed handles
- Gaskets

 **Ref. 8730** : Sliding door track in **Stainless Steel (AISI 304L)**

Innovations :

The door drops and seals to the frame using two tracks sections thus minimising bearing movement and wear. The concept and realisation provide a modular system with all parts being identical with the exception of the track lengths and guide rails.

Benefits :

- Smooth and silent operation
- Pleasing and hygienic appearance allowing easy cleaning
- Storage and transport costs are minimised
- Simple mounting and easy adjustment
- The special gasket remains soft down to - 40 degrees C
- Maximum safety due to new anti derailment feature
- Products in accordance to the UKCA/European Directives and Standards

OPTIONS

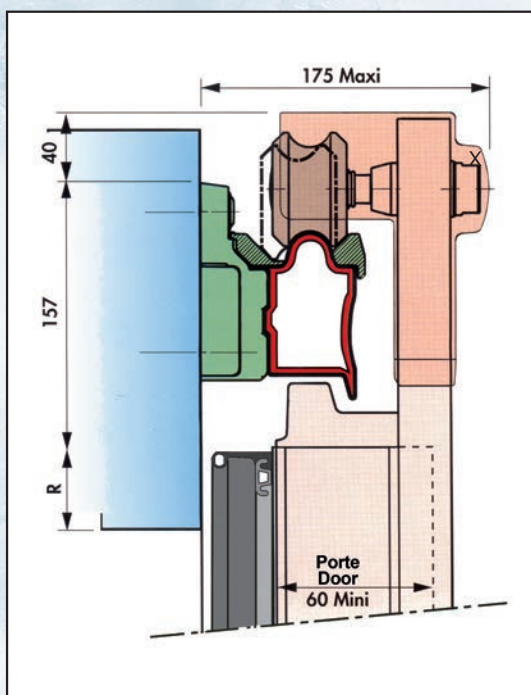
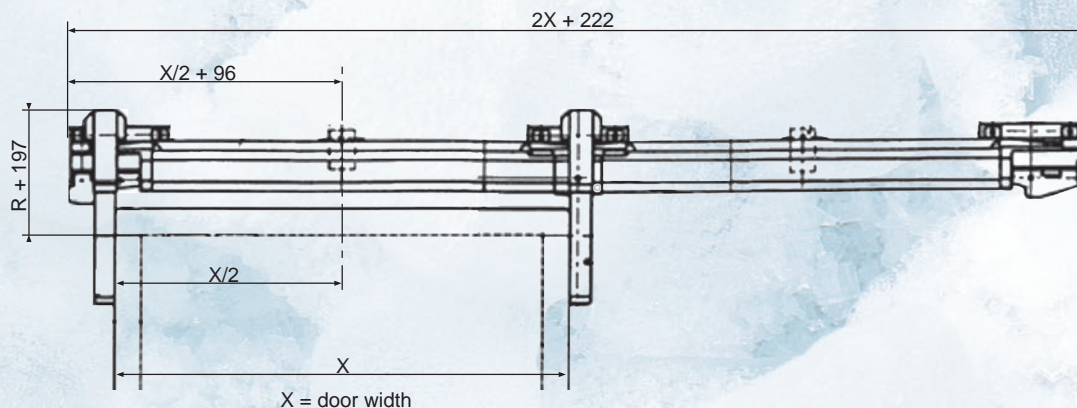
- Lock 57- 57 HP+ or 37-37HP
- Frame guiding system
- Automatic system *

* Ask for detailed literature





FERMATIC SERIE 8000



References	Door width
8732	1100 to 1400 mm
8733	1401 to 1700 mm
8734	1701 to 2000 mm
8735	2001 to 2300 mm
8736	2301 to 2600 mm
8737	2601 to 2900 mm

DISTRIBUTOR

08/2021



FERMOD®



3 avenue Eugène Gazeau - 60300 SENLIS - FRANCE
 Tél. : +33 (0)3 44 53 12 86 - Fax : +33 (0)3 44 53 62 03
 www.fermod.com • e-mail: contact@fermod.com
 Siège Social : Senlis (Oise) - Société Anonyme au Capital de 1 004 400 €
 RCS Compiègne B 301 468 211 - Siret 301 468 211 00018 - APE 2572 Z

Manual FERMATIC systems

