



FERMOD®

MOUNTING INSTRUCTIONS

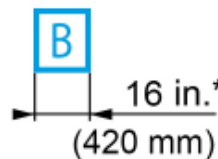
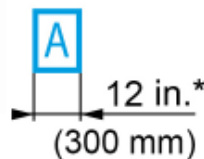
This instructions manual includes the mounting, utilization and the maintenance instructions. We recommend to read this carefully and to place it at the user's disposal. The english version of our general conditions of sales and mounting instructions are not binding, and are only given for information purposes. Only the french version can be used in case of legal action.

FERMOSTOCK 6611/R

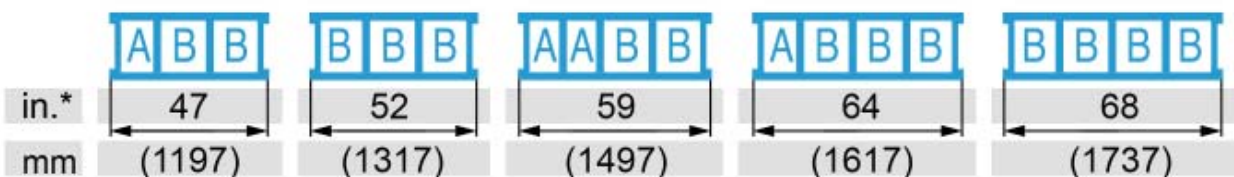
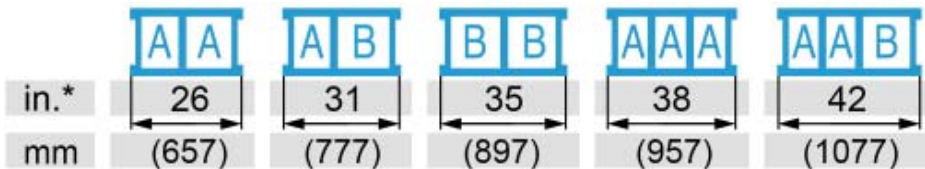
FUNCTION

MOST ADVISABLE SOLUTION FOR PRODUCT STOCKING, ESPECIALLY SUITABLE FOR FOOD PRODUCTS WITHIN COLD ROOMS AT EITHER POSITIVE OR NEGATIVE TEMPERATURES.

Angle piece
(see p.3)



*All dimensions in inches have been rounded

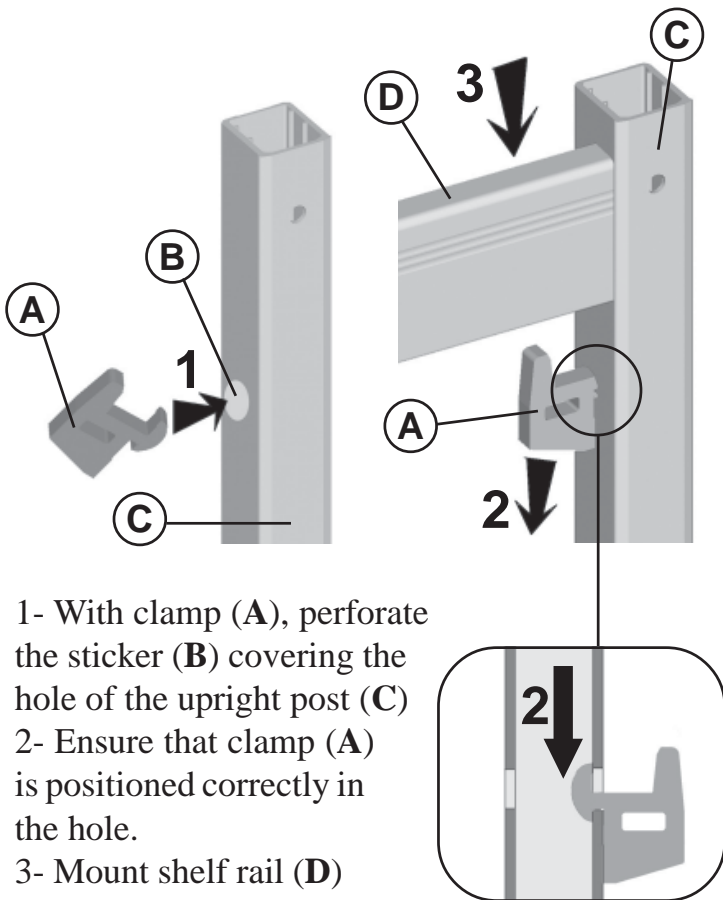


500 Lake Cook Road - Suite 350 - Deerfield, IL 60015
Office: 847-231-0367 - Toll free: 888-484-0367 - Fax: 847-231-0366
Email: uscontact@fermod.com

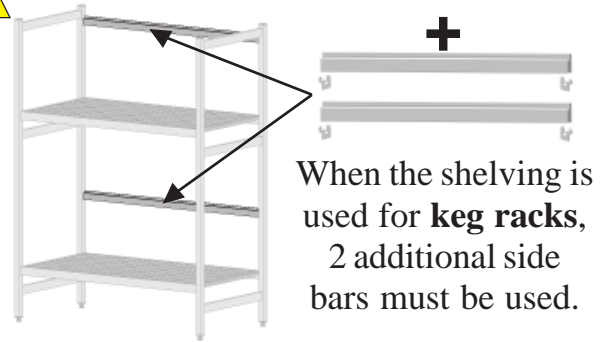
12/2017
N° 6611/R-C

MOUNTING

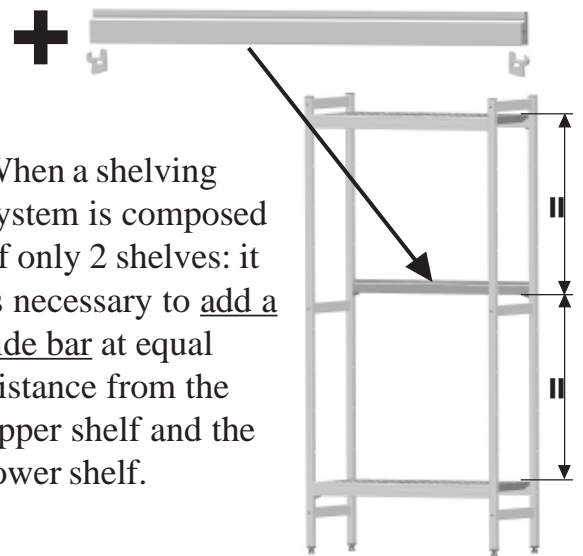
1. SIDE BAR



- 1- With clamp (A), perforate the sticker (B) covering the hole of the upright post (C)
- 2- Ensure that clamp (A) is positioned correctly in the hole.
- 3- Mount shelf rail (D) onto clamp (A)



When the shelving is used for **keg racks**, 2 additional side bars must be used.

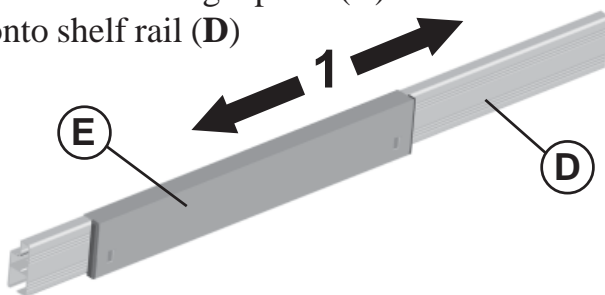


When a shelving system is composed of only 2 shelves: it is necessary to add a side bar at equal distance from the upper shelf and the lower shelf.

2. ANGLE PIECES

BEFORE MOUNTING

- 1- Introduce angle piece (E) onto shelf rail (D)



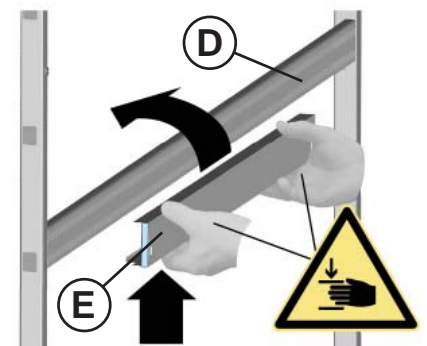
OR

AFTER MOUNTING

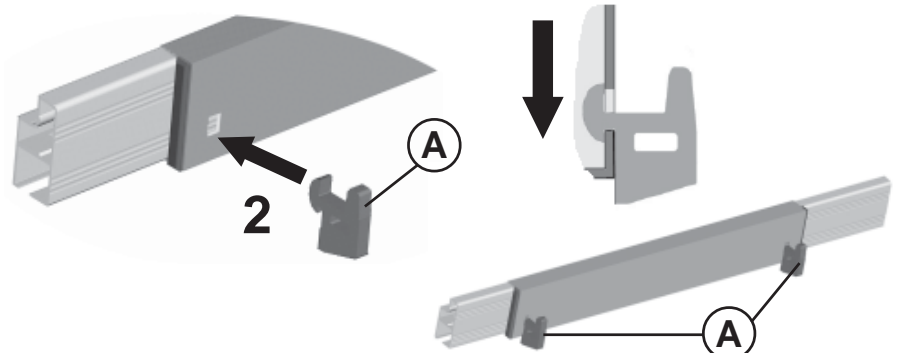


SAVE TIME!

- 1- Slot angle piece (E) onto shelf rail (D)



- 2- Engage clamp (A) and ensure that it is correctly positioned in the hole.



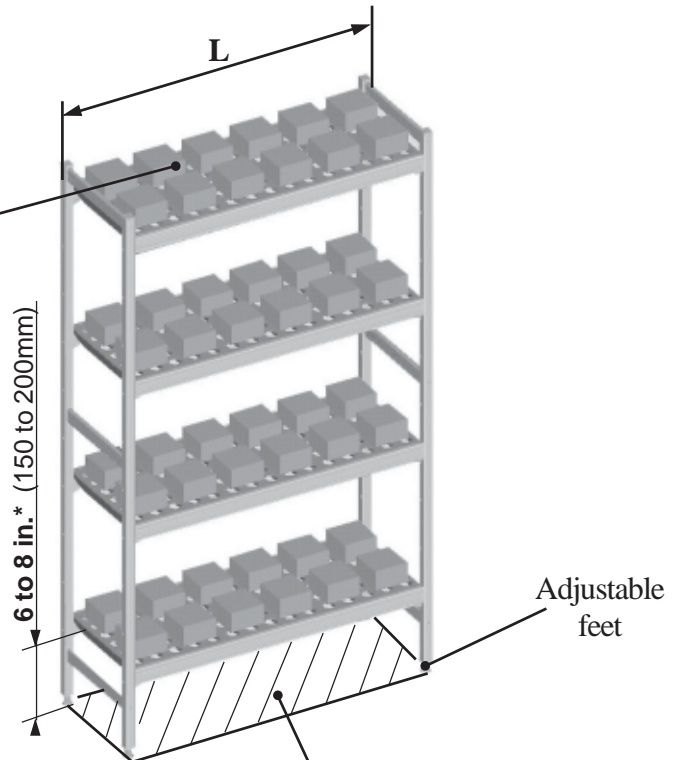
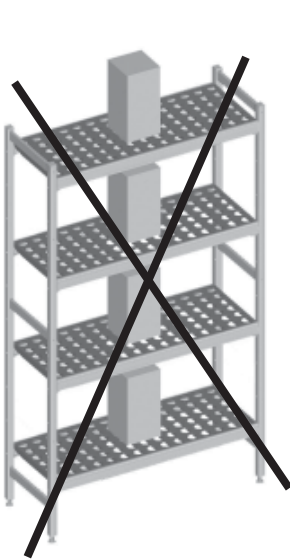
UTILIZATION

The tiers must be level (adjustment can be performed via adjustable feet)

Usable temperature range: - 40F to 140F (- 40C to 60C)



The shelving system should not be moved prior to full unloading of product from the shelves nor ever climbed



Maximum weight per shelf*

For evenly distributed load

$L \leq 47$ in.**
(1.20m)

$L > 47$ in.**
(1.20m)

800 lbs

600 lbs

Maximum weight loading between 2 uprights : 2000 lbs
1300 lbs between 2 uprights with angle configuration

* Mobile unit: maximum weight 250 lbs per shelf
and 500 lbs between 2 uprights

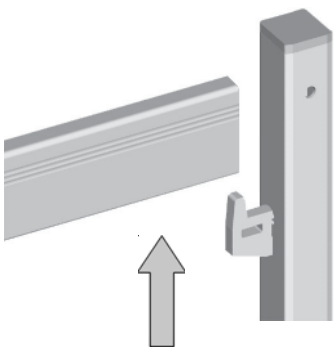
** All dimensions in inches have been rounded

Empty space

This area should be clear of obstruction to allow for cleaning.

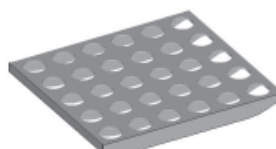
CLEANING

Regular cleaning is recommended as with all products that come into contact with food.



Remove for
complete cleaning.

All the holes should be covered by stickers.
Damaged stickers must be replaced.
Spare stickers are delivered with uprights.
Stickers and caps can be reordered from
your dealer.



Shelf inserts are easily removable
for cleaning and are suitable for
placement in the dishwasher.
(max. temp. of 212F or 100C)