



FIXING OPTIONS



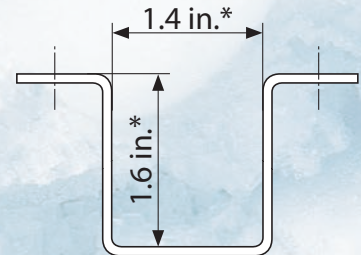
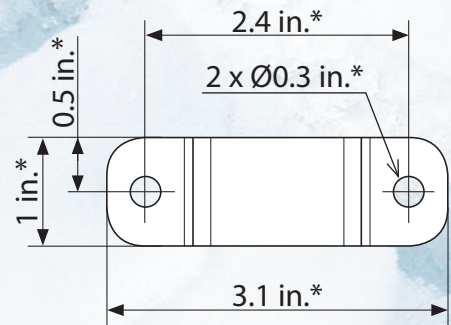
For shelving systems FERMOSTOCK 6611/R and 6622/R

SHELVING WALL BRACKET

for shelving systems Fermostock 6611/R and 6622/R

Made of stainless steel AISI 304

Fastening with 2 screws (not delivered)



*All dimensions in inches have been rounded

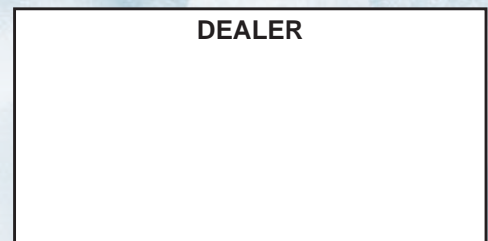
COMPOSITE SEISMIC FOOT PLATE for shelving systems Fermostock 6611/R and 6622/R

Made of composite

Used to bolt units to the floor for safety and stability or when a broader, more stable foot is desired. Mounts around the bottom of the standard static shelving foot.

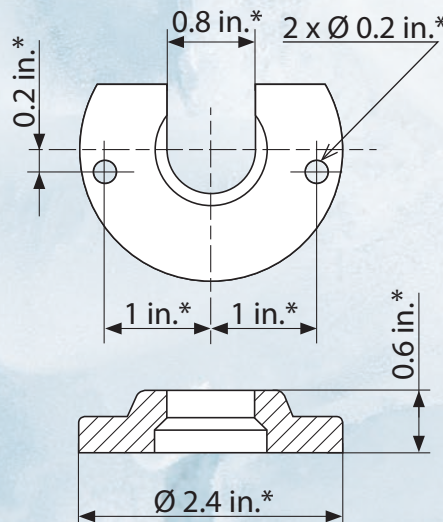
Foot plates are used to bolt shelving units to the floor or to distribute the weight over a broader area when softer flooring is used.

Bolts not included.



DEALER

2020/05/26



FERMOD®



500 Lake Cook Road - Suite 350 - Deerfield, IL 60015

Office: 847-231-0367 - Toll free: 888-484-0367

Fax: 847-231-0366

Email: uscontact@fermod.com