



# Fermostock shelving system **FIXING OPTIONS**



**5711 - 6611 - 6811 - 6811/B - 6622**

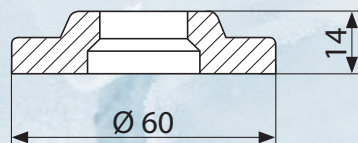
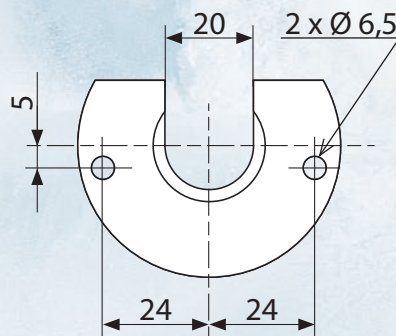
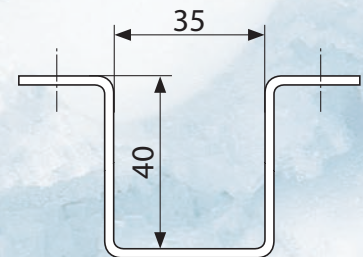
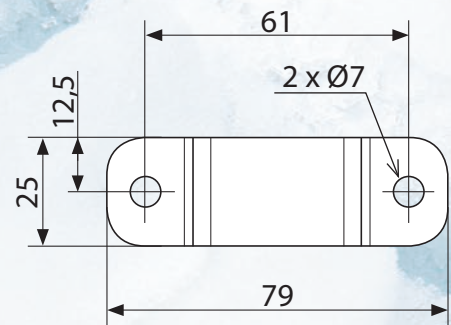
## SHELVING WALL BRACKET

for Fermostock shelving system

5711 - 6611 - 6811 - 6811/B - 6622

Made of stainless steel AISI 304

Fixing by screws M5/M6 (not delivered)



## COMPOSITE FOOT PLATE

for Fermostock shelving system

5711 - 6611 - 6811 - 6811/B - 6622

Made of composite

Used to bolt units to the floor for specific applications and environments

Fixings not delivered



DISTRIBUTOR



**FERMOD**



3 avenue Eugène Gazeau - 60300 SENLIS - FRANCE

Tél. : +33 (0)3 44 53 12 86 - Fax : +33 (0)3 44 53 62 03

<http://www.fermod.com> • e-mail: [contact@fermod.com](mailto:contact@fermod.com)

Siège Social : Senlis (Oise) - Société Anonyme au Capital de 1 004 400 €  
RCS Compiègne B 301 468 211 - Siret 301 468 211 00018 - APE 2572 Z

02/07/2019 - Imp. Polyservices - Beauvais